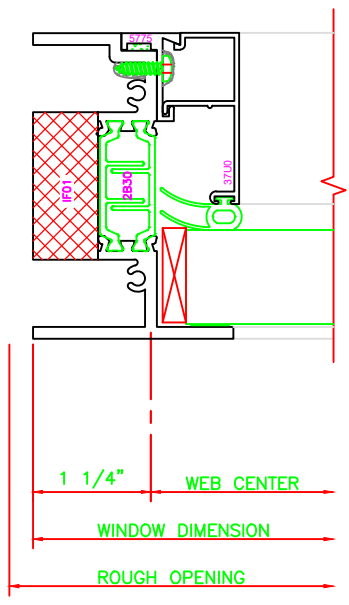
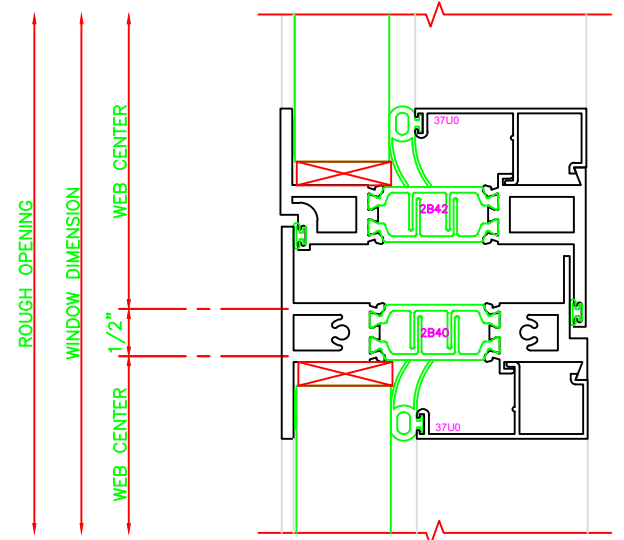
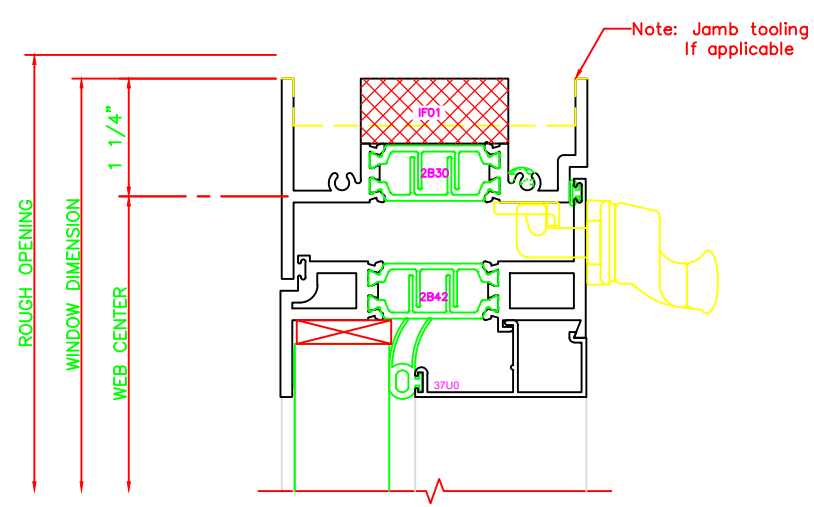


| | |
|-----|-------------------------------|
| 110 | HEAD |
| | 325 PROJECT IN CAM LOCK |

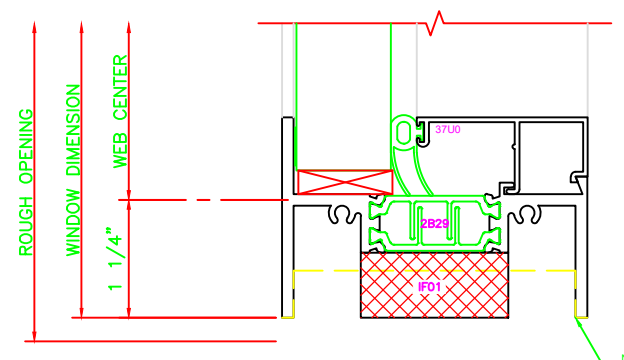
| | |
|-----|---------------------------------|
| 410 | JAMB |
| | 325 PROJECT IN 4-BAR ARMS |



| | |
|-----|---------------------------|
| 402 | JAMB |
| | 325 FIXED \ PROJECT IN |



| | |
|-----|---------------------|
| 512 | MEETING RAIL |
| | 325 P.I. \ FIXED |



| | |
|-----|--------------|
| 200 | SILL |
| | 325 FIXED |